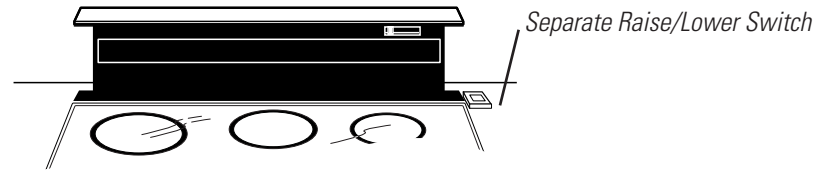
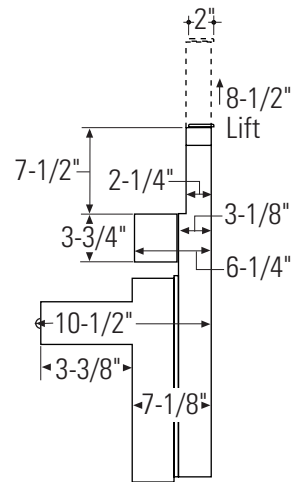
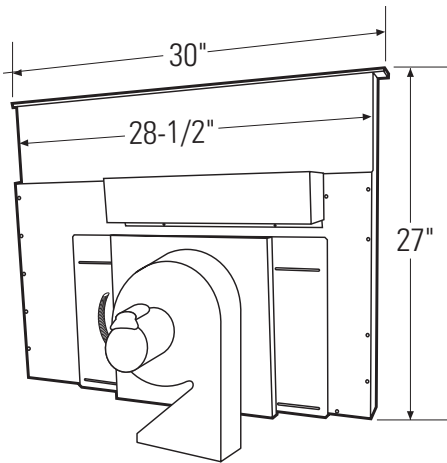




Monogram®

ZVB30SH/BH/WH – GE Monogram 30" Telescopic Downdraft Vents

Dimensions and Specifications (in inches)



All 30" models are equipped with a separate raise/lower switch. The switch must be installed in a separate location outside of the vent and cooktop cutout.

Countertop Requirements

Countertops must have a deep flat surface to accommodate the cooktop and the vent. Countertops with a rolled edge and backsplash may not provide the flat surface area required.

Base Cabinet Requirements

The base cabinet must be deep enough to accommodate the minimum clearance to the front edge of the countertop, the cooktop burner box and the vent.

Downdraft Vent and Cooktop Cutout

The installation of these downdraft vents with any Monogram cooktop requires careful consideration. For accurate planning, review the individual dimension drawings for the combined vent and Monogram cooktop installation.

Before you begin you must:

1. Review countertop dimension illustrations to be sure you will have enough flat countertop surface depth.
2. Check to be sure that the total countertop depth required (including minimum cutout to front edge depth) allows enough space for a backsplash.
3. Review the cabinet illustration. Check to be sure that the interior cabinet depth will house the cooktop burner box, the vent and the cutout clearance from the front.
4. When countertop and cabinet depth present a problem, review Creative Solutions.
5. Carefully review the installation instructions packed with product or available online at www.monogram.com.

With careful planning you can achieve a custom look with minimal adjustments.



Listed by
Underwriters
Laboratories

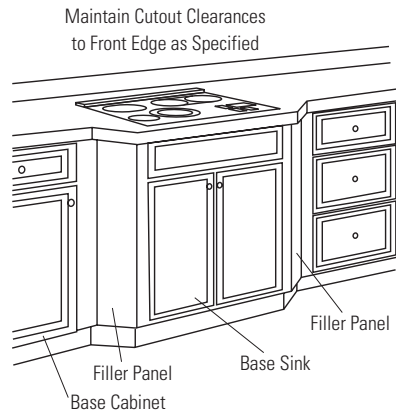
For answers to your Monogram®, GE Profile™ or GE® appliance questions, visit our website at GEAppliances.com or call GE Answer Center® service, 800.626.2000.



Monogram®

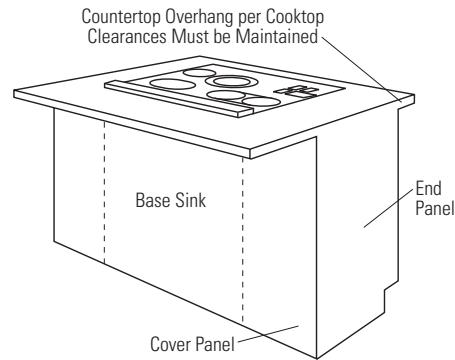
ZVB30SH/BH/WH – GE Monogram 30" Telescopic Downdraft Vents

Creative Solutions



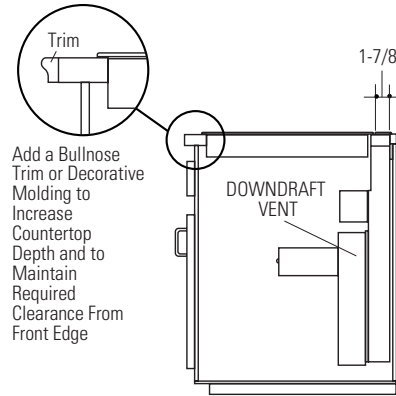
Against-the-wall installation

Move the base cabinet forward, 3" to 5". Filler panels or complimentary moldings can be added to the exposed cabinet sides.



Island or peninsula installation

Use an extra-deep countertop. The countertop overhang at the front can be adjusted to meet setback to cutout requirements.



Decorative trim

When the cutout to front edge of the countertop requirement is more than 2", add a bullnose trim to the front edge of the countertop. The additional trim allows the cooktop to be moved forward, providing additional countertop depth and interior cabinet space.

Optional Accessories

JXRB67 Accessory for indoor remote location of the blower/motor assembly. Use this kit when the blower and motor assembly will be located outside of the cabinet, such as below the cabinet floor. The assembly will fit between 16" floor joists.

JXBC67 Outdoor cover accessory for remote installation of the blower/motor assembly on an outside wall.

Ductwork

Prepare the ductwork to vent to the outdoors.

- Plan the shortest and straightest route for venting exhaust to the outdoors.
- The maximum permissible length for the duct run is 150 feet.
- Use metal ductwork only.
- The downdraft blower system is designed to use 3-1/4" x 10" duct. It can be transitioned to 6" round.
- Install a wall cap or roof cap with damper at the exterior opening. Order the wall cap and any transition needed in advance.



Listed by Underwriters Laboratories

For answers to your Monogram®, GE Profile™ or GE® appliance questions, visit our website at GEAppliances.com or call GE Answer Center® service, 800.626.2000.

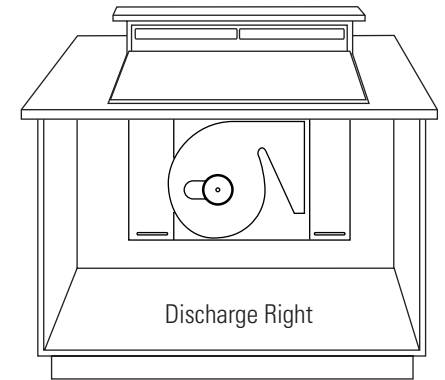
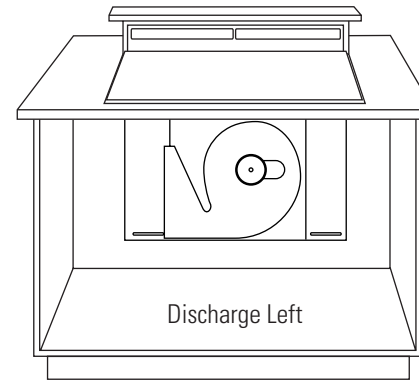
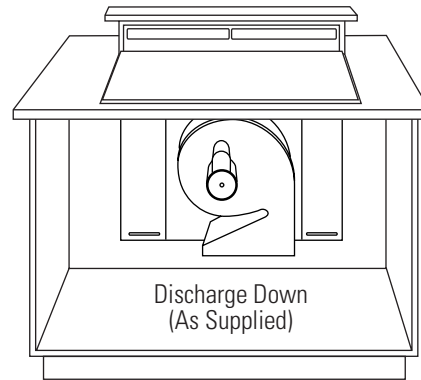


Monogram®

ZVB30SH/BH/WH – GE Monogram 30" Telescopic Downdraft Vents

Venting Options

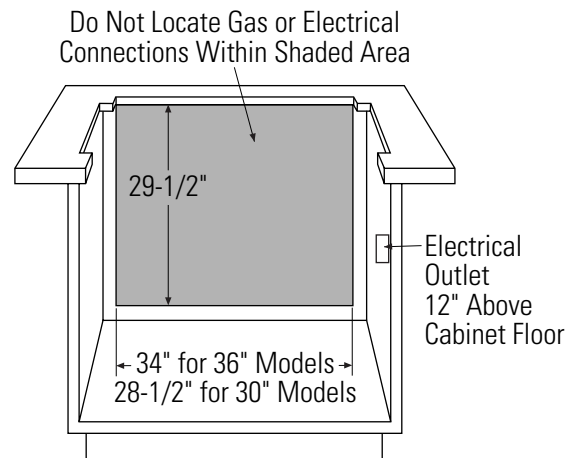
The downdraft vent is shipped with the discharge outlet pointing straight down and can be changed to a left- or right-side discharge. For even more flexibility, the entire blower and mounting plate can be adjusted 3-1/2" to the left or right sides.



Electrical and Gas Locations

Plan the placement of the electrical outlet and gas (if used) carefully. Gas or electrical outlets cannot be located on the back wall of the cabinet because they may interfere with the downdraft plenum.

- Install a standard electrical outlet within reach of the vent's two-foot-long power cord. Locate the outlet inside the cabinet on the right side wall.
- If the vent is installed in combination with a Monogram® gas cooktop, it may operate from the same 120V standard duplex outlet.
- If the vent is installed in combination with a Monogram electric cooktop, the vent must operate from a separate 120V outlet.



Listed by
Underwriters
Laboratories

For answers to your Monogram®, GE Profile™ or GE® appliance questions, visit our website at GEAppliances.com or call GE Answer Center® service, 800.626.2000.

Specification Created 10/03

130658



Monogram®

ZVB30SH/BH/WH – GE Monogram 30" Telescopic Downdraft Vents



Features and Benefits

- 30" Telescopic downdraft system
- 500 CFM performance
- Remote-mounted control
- Variable-speed fan with slide control
- Raises to 8-1/2" over cooktop surface
- Retracts when not in use
- Removable grease filters
- 3-1/4" x 10" rectangular duct
- Optional remote blower capabilities
- Stainless steel vent body
- Minimum 6" round duct capabilities
- Model ZVB30SHSS – Stainless steel (shown)
- Model ZVB30WHWW – White on white
- Model ZVB30BHBB – Black on black